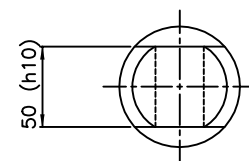
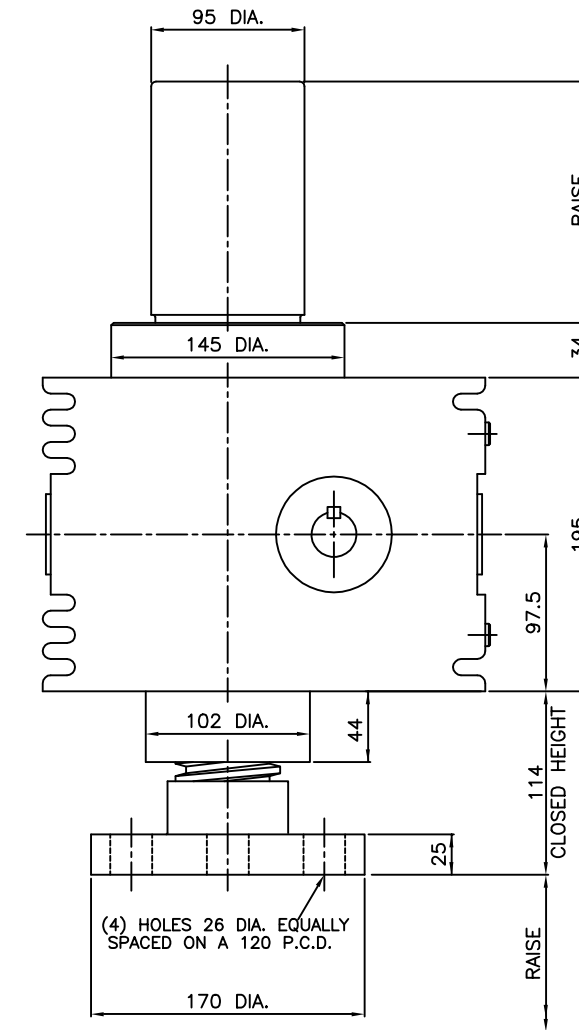
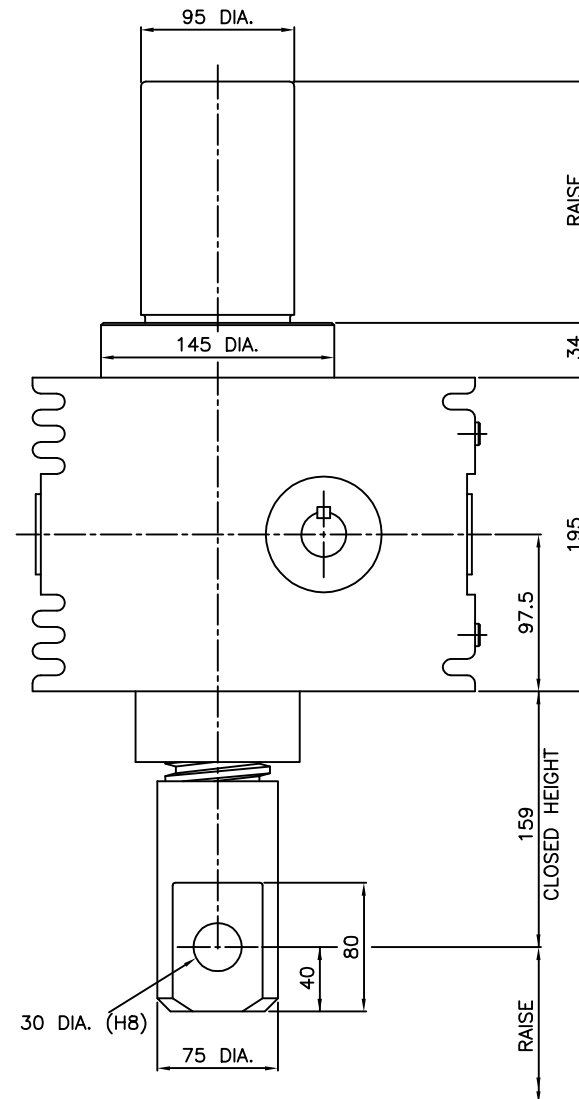
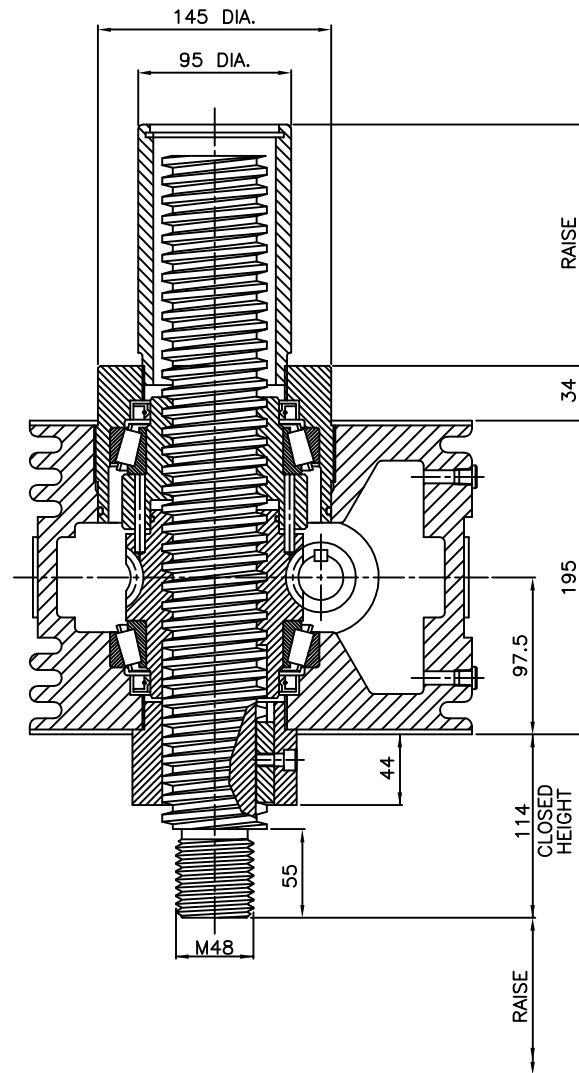
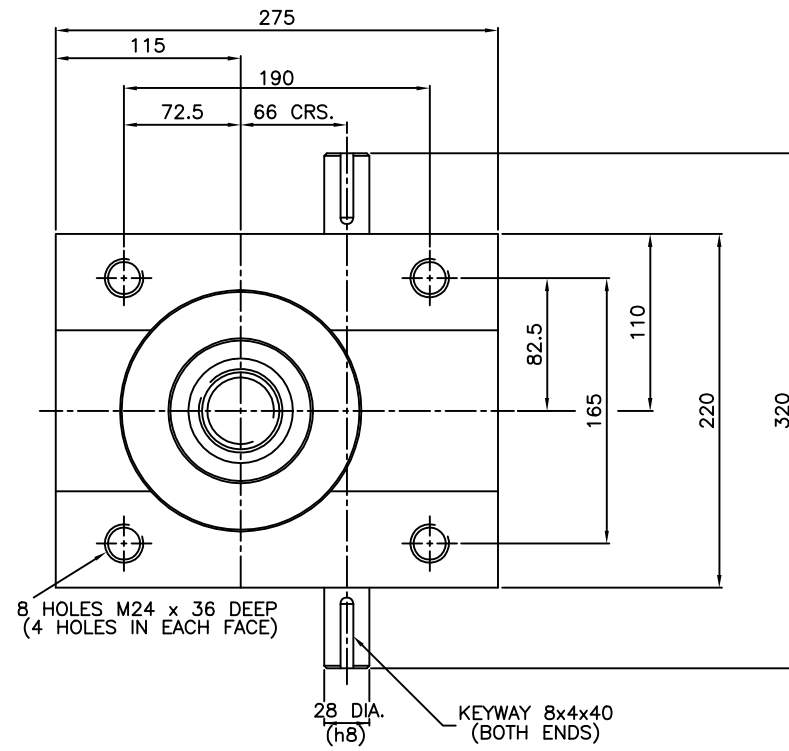


# Power Jacks

POWER JACKS LTD.  
 "SYM-METRIC"  
 RANGE OF CUBIC METRIC ACTUATORS  
 DESIGNED AND MANUFACTURED IN THE UK  
 200 KN RATED CAPACITY  
 KEYED ANTI-BACKLASH SYSTEM WITH INVERTED  
 TRANSLATING SCREW  
 65mm DIA. X 12mm PITCH MACHINE SCREW

ST200-\*\*\*\*-E1RW-CPC100B (THREADED END)  
 ST200-\*\*\*\*-T1RW-CPC100B (TOP PLATE)  
 ST200-\*\*\*\*-C1RW-CPC100B (CLEVIS END)

\*\*\*\* = RAISE IN MM  
 REFER TO PRODUCT CODE FOR VARIANT  
 SPECIFICATION.



IF TOP PLATES OR CLEVIS ENDS ARE NOT ALREADY FITTED, IT WILL BE NECESSARY TO DRILL-DIMPLE LIFTING SCREW THREADING TO ACCOMMODATE CUP-POINTS OF LOCKING-SCREWS.  
 NOTE - DIMPLE TO FULL DIAMETER OF DRILL TO 1mm-1.5mm BELOW ROOT DIA. OF THREAD.

KEYED ACTUATORS:  
 TOP PLATE BOLT HOLES OR CLEVIS FLATS WILL BE POSITIONED AS SHOWN RELATIVE TO WORM CENTRE LINE UNLESS OTHERWISE CALLED FOR.