

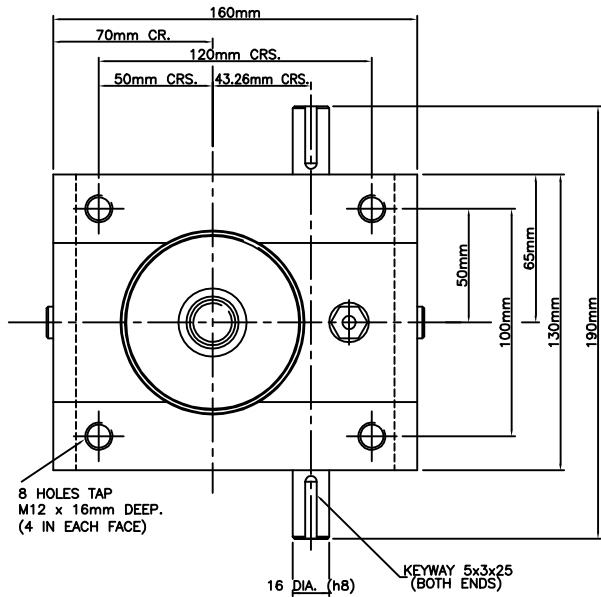


Power Jacks

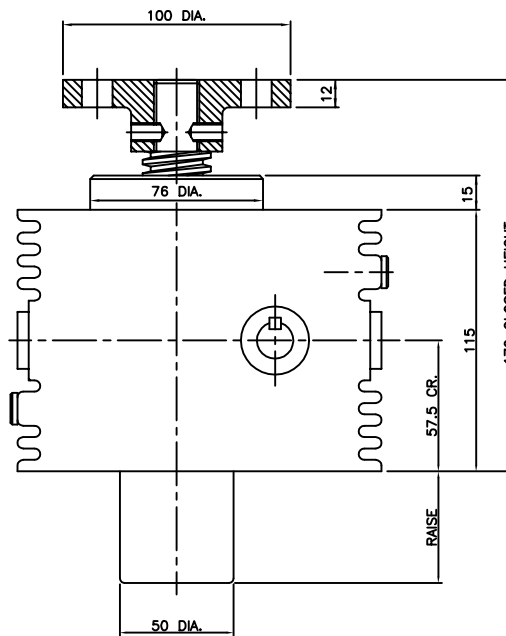
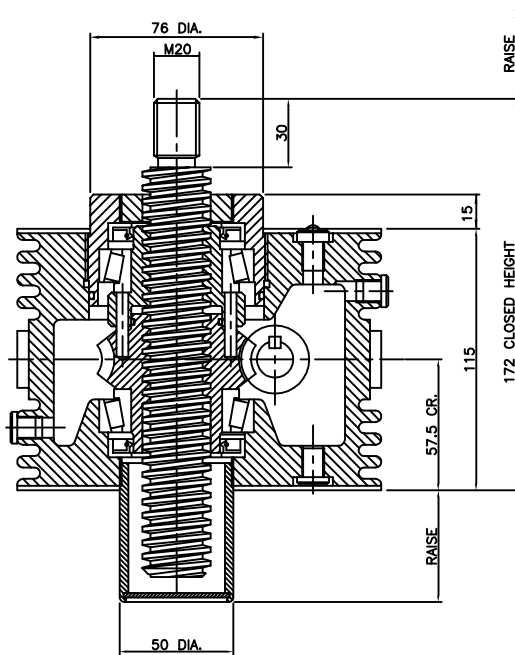
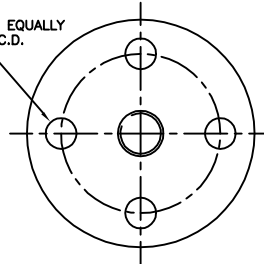
POWER JACKS LTD.
 "SYM-METRIC"
 RANGE OF CUBIC METRIC ACTUATORS
 DESIGNED AND MANUFACTURED IN THE UK
 25 KN RATED CAPACITY
 STANDARD TRANSLATING SCREW WITH ANTI-BACKLASH
 30mm DIA. X 6mm PITCH MACHINE SCREW

ST025-****-E1RR-CPC100B (THREADED END)
 ST025-****-T1RR-CPC100B (TOP PLATE)
 ST025-****-C1RR-CPC100B (CLEVIS END)

**** = RAISE IN MM
 REFER TO PRODUCT CODE FOR VARIANT SPECIFICATION.

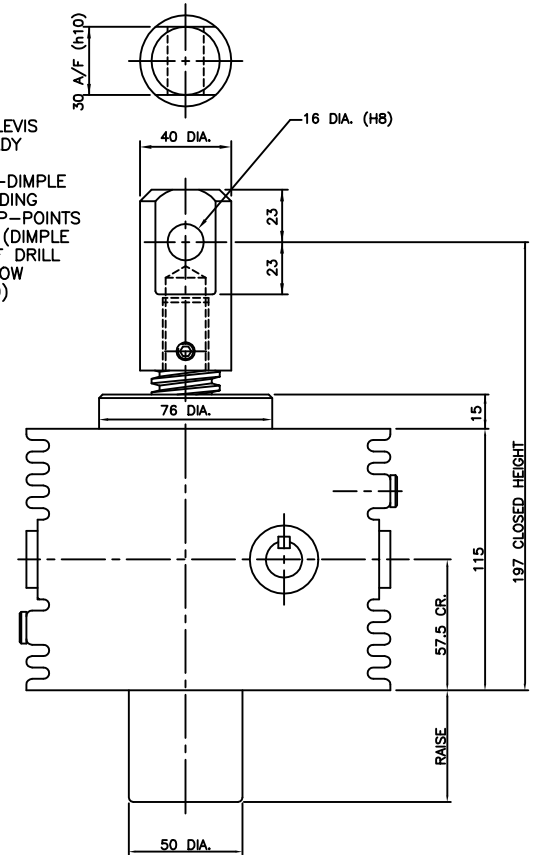


(4) HOLES 13.5 DIA. EQUALLY
 SPACED ON A 70 P.C.D.



TOP PLATE

IF TOP PLATES OR CLEVIS
 ENDS ARE NOT ALREADY
 FITTED, IT WILL BE
 NECESSARY TO DRILL-DIMPLE
 LIFTING SCREW THREADING
 TO ACCOMMODATE CUP-POINTS
 OF LOCKING SCREWS (DIMPLE
 TO FULL DIAMETER OF DRILL
 TO 1mm-1.5mm BELOW
 ROOT DIA. OF THREAD)



CLEVIS