



Duff-Jack - Ratchet Jack

PARTS LIST

We reserve the right to alter details and specifications without notice.

Since special circumstances may affect the equipment's operation, users should consult POWER JACKS LTD at the address shown, or take other skilled engineering advice. It is recommended that the application design load is conspicuously displayed.

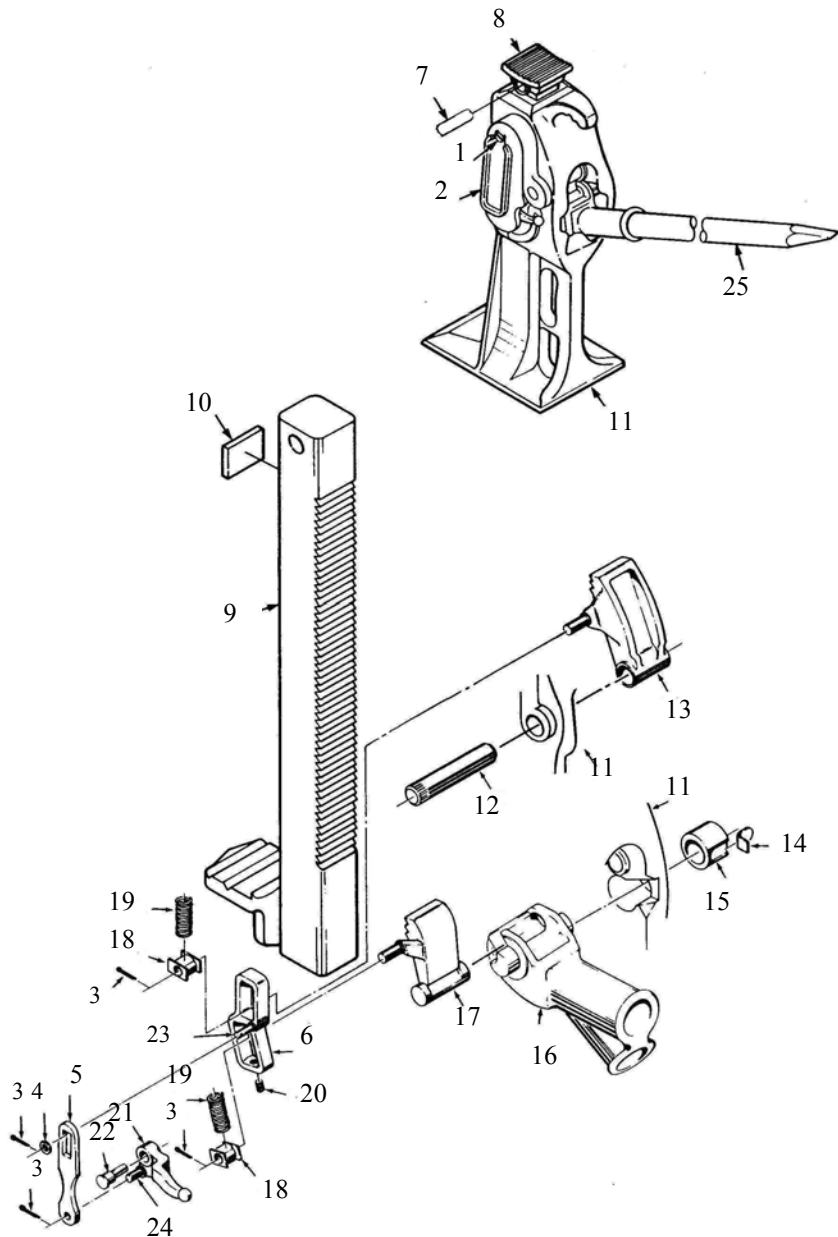
© POWER JACKS LIMITED. May not be copied in whole or in part

Power Jacks Limited
Maconochie Road, Fraserburgh AB43 8TE
Scotland
Tel: +44 (0) 1346 513131
Fax: +44 (0) 1346 516827
email: sales@powerjacks.co.uk
www.powerjacks.com

SUPPLIED BY: POWER JACKS LIMITED

Duff-Jack - Ratchet Jack

General arrangement



Item	Description	Model 516MT	Model 1022	Model 1522	Model 2028
		Part No	Part No	Part No	Part No
1	Panhead screw (1 req)	SK2374-83	-	-	-
2	Shield or cover	BX4651	BX4137	BX4137	BX4137
3	Split pins (4 req)	148-5387	1-5387	1-5387	1-5387
4	Auxiliary lever washer	6FPS1778	BS3-22	BS3-22	BS3-22
5	Auxiliary lever	BX3674	BX3592	BX3592	BX3592
6	Spring frame complete	BP610	BP650	BP650	BP650
	headless set screws Item 20	BX3590	BX3590	BX3590	BX3590
	sliding block (2 req) Item 18	BS3677	BX4290	BX4290	BX4290
	springs (2 req) Item 19	BS3700	BX4289	BX4289	BX4289
	spring frame Item 6	BX4180	BX4288	BX4288	BX4288
	centre pin Item 23	BX4181	BX4161	BX4161	BX4161
7	Pin for top	161FPS644	BS1-84	BS1-62	BS1-62
8	Top (flat)	BX2792	BX2808	BX58	BX58
9	Rack	BX4010-2	BX3658	BX3650	BX3586
10	Wearing plate	BX3294	BX3294	BX3294	BX3294
11	Base	BX4035	BX3657	BX3649	BX3583
12	Long pawl fulcrum pin	BX4015	BX10-26	BX10-26	BX10-5
13	Long pawl	BX4011	BX3587	BX3587	BX3587
14	Bushings locks (2 req)	BX3680	BX2887	BX2887	BX2887
15	Bushings (2 req)	BX3679	BX3629	BX3629	BX3593
16	Socket lever (double)	BX4038	BX3722	BX3722	BX3751
17	Short pawl	BX4012	BX3718	BX3718	BX3718
21	Reversing lever	BX4013	BX3655	BX3591	BX3591
22	Reversing lever pin	BX4014	BX4138	BX4138	BX4138
24	Auxiliary lever pin	BX3706	BX3589	BX3589	BX3589
25	Steel operating lever	BX2891	BX3400	BX3400	BX3400
*	Carrying handle (2 req)	-	-	BX31 (2req)	BX31 (2req)
*	Handle rivets	-	-	BS4-41	BS4-41
*	Shield rivet	-	BS5-4	BS5-4	BS5-4
*	Split pin (1 req)	-	17-5387	17-5387	17-5387
*	Headless set screw 3/8" dia x 3/8"	84FPS1599	84FPS1599	84FPS1599	84FPS1599

* Not illustrated