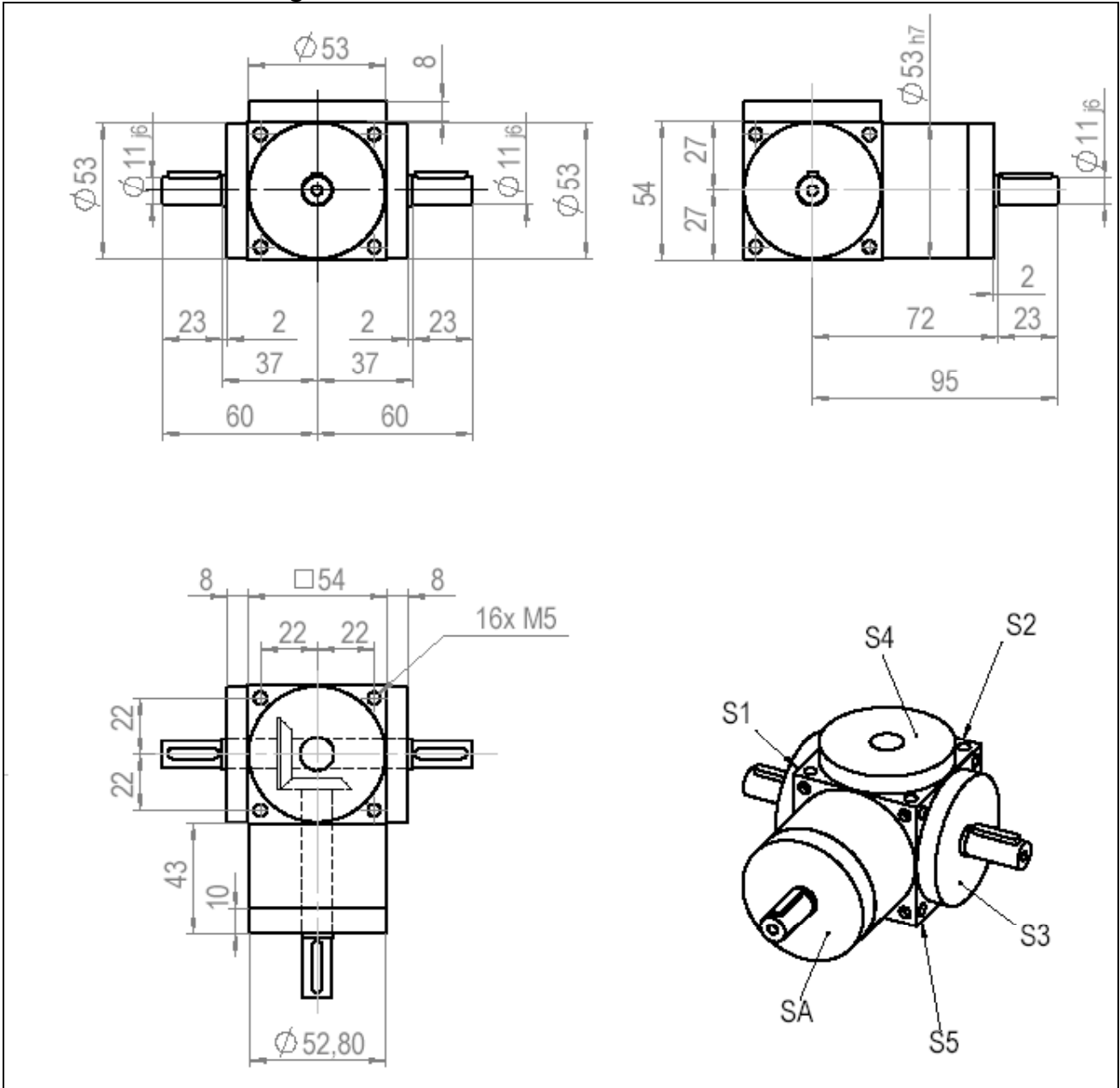


Range – PowerGear

Model : P54 & X54



| PowerGear | P54 | X54 |
|---------------------------|---------------|-----|
| 1:1 Output Torque (Nm) | 12 | 17 |
| 1.5:1 Output Torque (Nm) | 12 | - |
| 2:1 Output Torque (Nm) | 12 | - |
| 3:1 Output Torque (Nm) | 12 | - |
| Max Input Speed | 8000 rpm | |
| Standard Output Backlash | 7 – 16 arcmin | |
| Minimum Output Backlash | 4 – 8 arcmin | |
| Thermal Performance Limit | 2.8 kW | |

Power Jacks Ltd., Maconochie Road, Fraserburgh AB43 8TE Scotland (UK)

Tel: +44 (0) 1346 513131 Fax: +44 (0) 1346 516827

email: sales@powerjacks.com <http://www.powerjacks.com>