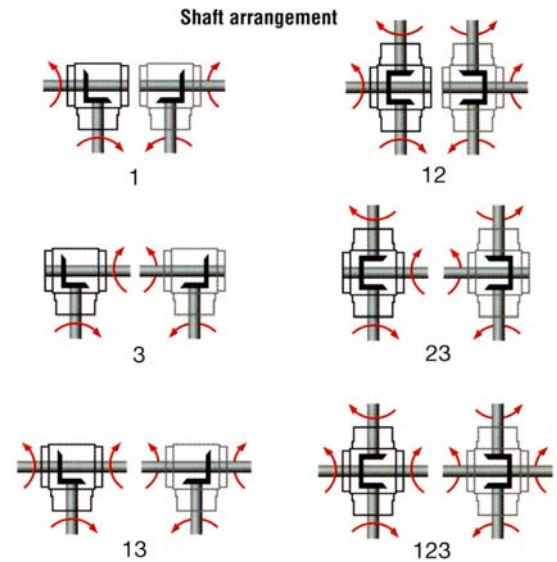
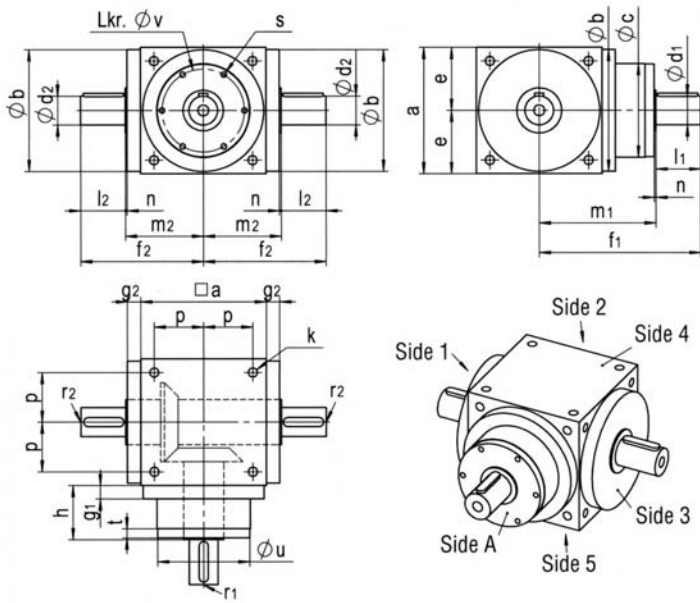


DATA SHEET POWERGEAR P450

Series L



right view in each case = mirrored presentation

Dimension	P450L 1:1 to 5:1
a	450
$\varnothing b$ h7	440
$\varnothing c$	250
$\varnothing d_1$ k6	90
$\varnothing d_2$ k6	90
e	225
f1	570
f2	410
g1	22
g2	22
h	185
k	M20
l1	160
l2	160
m1	410
m2	250
n	3
p	175
r1 / r2	M24
s	on request
t	on request
$\varnothing u$ g6	on request
$\varnothing v$	on request
Key	25x14x140
acc. to DIN6885/1	

P450L units have an extra cap centrally mounted on side 4 of gearbox
P450L cap = $\varnothing 440 \times 22$
Constructional modifications reserved

Performance	PowerGear	P450
1:1	Output Torque, M2 (Nm)	6600
1.5:1	Output Torque, M2 (Nm)	6600
2:1	Output Torque, M2 (Nm)	6600
3:1	Output Torque, M2 (Nm)	6600
4:1	Output Torque, M2 (Nm)	6600
5:1	Output Torque, M2 (Nm)	6000
Max. Speed	Input Speed, N1 (rpm)	1000
at 2% max. load	standard output backlash (arcmin) minimum output backlash (arcmin)	on request on request
Allowable Radial load (N)	Input shaft d1 Output shaft d2	on request on request
Allowable Axial Load (N)	Input shaft d1 Output shaft d2	on request on request
Weight (kg)		400
Thermal	Performance limit (kW)	110