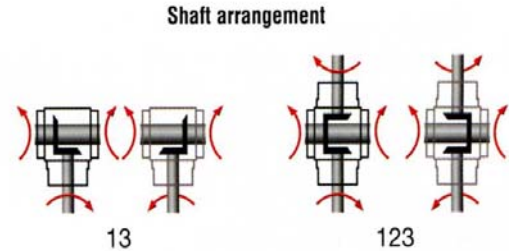
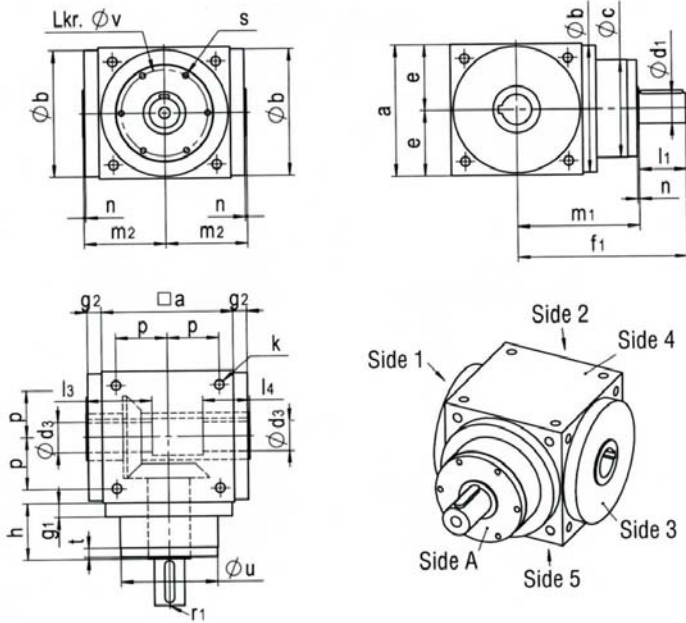


DATA SHEET POWERGEAR P450

Series H



right view in each case = mirrored presentation

Dimension

P450H 1:1 to 5:1

a	450
ϕb h7	440
ϕc	250
$\phi d1$ k6	90
$\phi d3$ H7	90
e	225
f1	570
g1	22
g2	22
h	185
k	M20
l1	160
l3	160
l4	160
m1	410
m2	250
n	3
p	175
r1	M24
s	on request
t	on request
ϕu g6	n/a
ϕv	on request
Key at d 1 acc. to DIN6885/1	25x14x140
Keyway at d3 acc. to DIN6885/1	25x14x160

Performance

	PowerGear	P450
1:1	Output Torque, M2 (Nm)	6600
1.5:1	Output Torque, M2 (Nm)	6600
2:1	Output Torque, M2 (Nm)	6600
3:1	Output Torque, M2 (Nm)	6600
4:1	Output Torque, M2 (Nm)	6600
5:1	Output Torque, M2 (Nm)	6000
Max. Speed	Input Speed, N1 (rpm)	1000
at 2% max. load	standard output backlash (arcmin) minimum output backlash (arcmin)	on request on request
Allowable Radial load (N)	Input shaft d1 Output shaft d2	on request on request
Allowable Axial Load (N)	Input shaft d1 Output shaft d2	on request on request
Weight (kg)		400
Thermal	Performance limit (kW)	110

P450H units have an extra cap centrally mounted on side 4 of gearbox
P450H cap = $\phi 440 \times 22$
Constructional modifications reserved