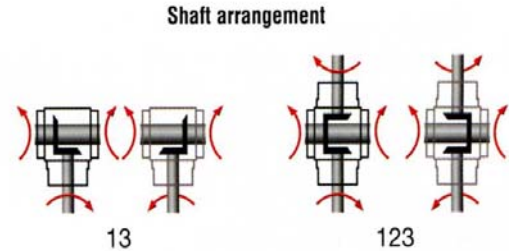
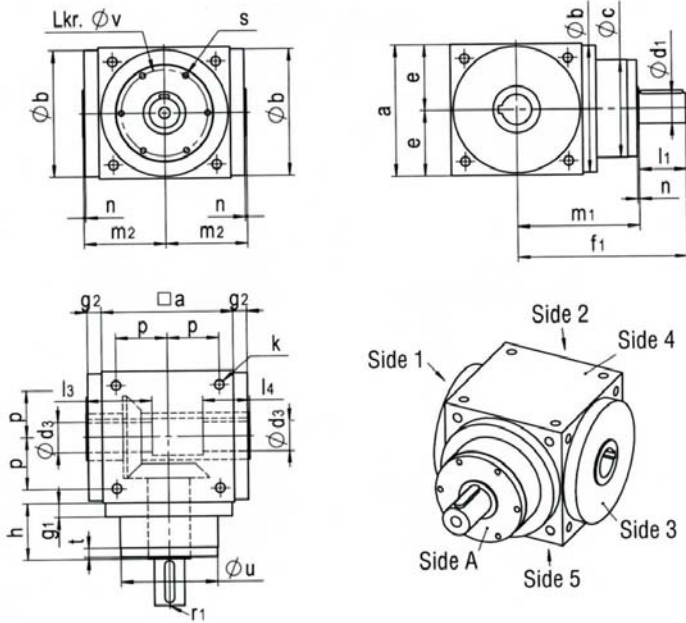


DATA SHEET POWERGEAR P360

Series H



right view in each case = mirrored presentation

Dimension

P360H 1:1 to 5:1

Dimension	P360H 1:1 to 5:1
a	360
Øb h7	350
Øc	210
Ød1 k6	75
Ød3 H7	75
e	180
f1	445
g1	22
g2	22
h	145
k	M20
l1	120
l3	120
l4	120
m1	325
m2	205
n	3
p	140
r1	M20
s	on request
t	on request
Øu g6	n/a
Øv	on request
Key at d 1 acc. to DIN6885/1	20x12x110
Keyway at d3 acc. to DIN6885/1	20x12x110

Performance

Performance	PowerGear	P360
1:1	Output Torque, M2 (Nm)	3750
1.5:1	Output Torque, M2 (Nm)	3550
2:1	Output Torque, M2 (Nm)	3500
3:1	Output Torque, M2 (Nm)	3350
4:1	Output Torque, M2 (Nm)	2900
5:1	Output Torque, M2 (Nm)	2600
Max. Speed	Input Speed, N1 (rpm)	1500
at 2% max. load	standard output backlash (arcmin) minimum output backlash (arcmin)	on request on request
Allowable Radial load (N)	Input shaft d1 Output shaft d2	on request on request
Allowable Axial Load (N)	Input shaft d1 Output shaft d2	on request on request
Weight (kg)		240
Thermal	Performance limit (kW)	70

P360H units have an extra cap centrally mounted on side 4 of gearbox
P360H cap = Ø350x22
Constructional modifications reserved